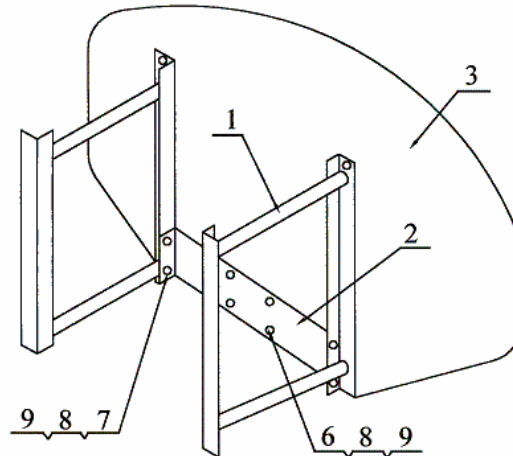
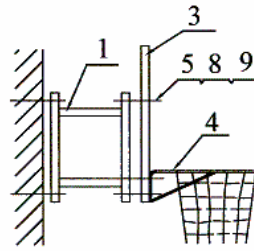




Assembly Instruction Wall Mount system Bronx model 508, 509



List of parts:

1. Frames of the bracket - 2pcs
2. Back plate - 1pc
3. Backboard - 1pc
4. Goal - 1pc
5. Carriage bolt M 8 x 40 - 2pcs
6. Screw M 8 x 50 - 4pcs
7. Screw M 8 x 20 - 4pcs
8. Round washer 8 - 10pcs
9. Nut M 8 - 10pcs

How to assembly:

1. Mount the back plate of the backboard /2/with frames of the bracket /1/
2. Attach the frames of bracket /1/ to the wall.
3. Attach the backboard and the goal